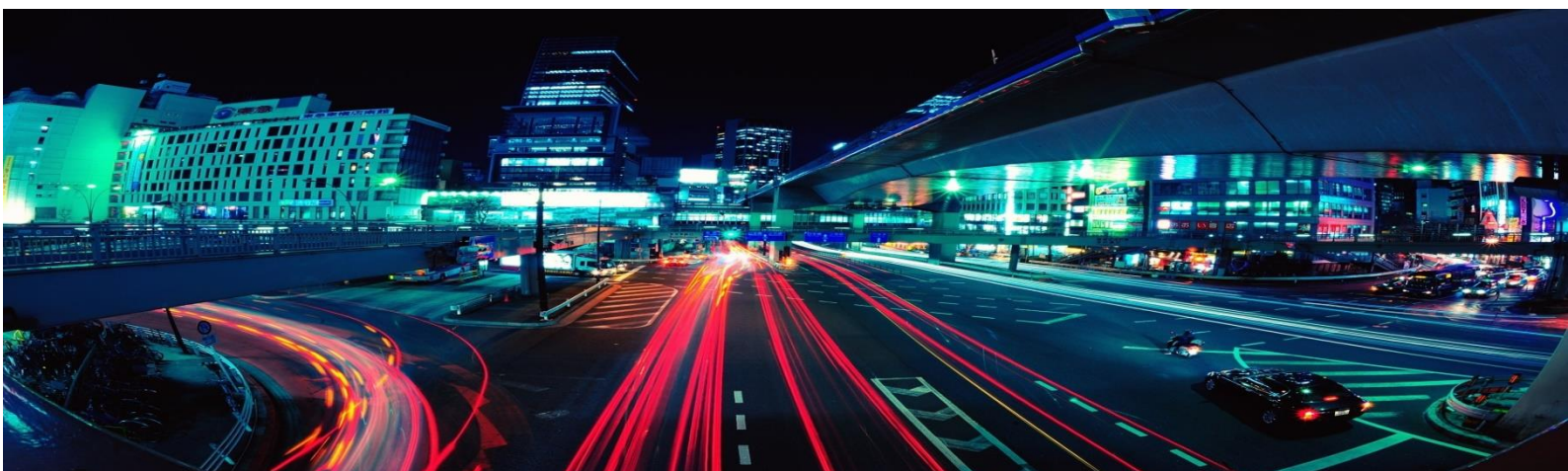


REL2700-N-11 Series 1-20KVA Single Phase Rack/Tower Online UPS System

Advanced Intelligent Power Protection



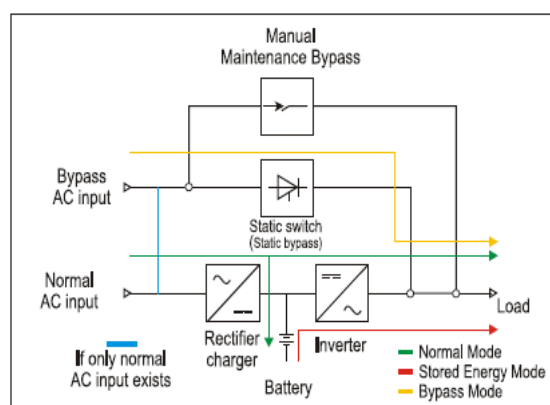
Specially Designed for all types of Industrial,
Information Technology (IT), Telecom,
Medical and Precision Instrument Systems



Introduction to REL2700N-11-RT

REL 2700N-11-RT is a True Online, Pure Sinewave, Double Conversion and DSP Controlled UPS System. The UPS System protects your critical load by eliminating the Utility Power fluctuations, Sags and Surges and Failures by inherent Voltage regulation function and Battery Bank Support.

The UPS System consists of A Rectifier/ Charger Assembly, An Inverter Assembly, Static Bypass Assembly, Manual Maintenance Bypass Assembly (option) and a Battery Bank as shown in the Figure.



REL2700N-11-RT provides clean and protected power free of site voltage and frequency fluctuation. Your equipment always receive a stabilized power thru the UPS Inverter and built-in AVR function. The REL2700N-11-RT provides backup power thru built-in batteries and keeps your critical load protected at all times. The battery autonomy time can be increased to any duration by installing External Battery Banks.

Salient Features:

REL2700N-11-RT Series UPS System:

1. Rack design aims at pivotal equipment, providing much more flexible and reliable protection
2. Using high reliable parallel redundancy technology realizes N+1 parallel redundancy function
3. Intelligent CPU/DSP design, the use of PFC power factor correction, input power factor greater than 0.99, the overall efficiency of more than 93%, the input current harmonic less than 5%
4. True online design, output pure sine wave, no pollution, and zero transfer time
5. Adopts the high frequency and IGBT technology, the overall efficiency and reliability of the machine are improved, with small volume and light weight.
6. Intelligent local and remote monitor capability with RS232 port, and compatible with SNMP

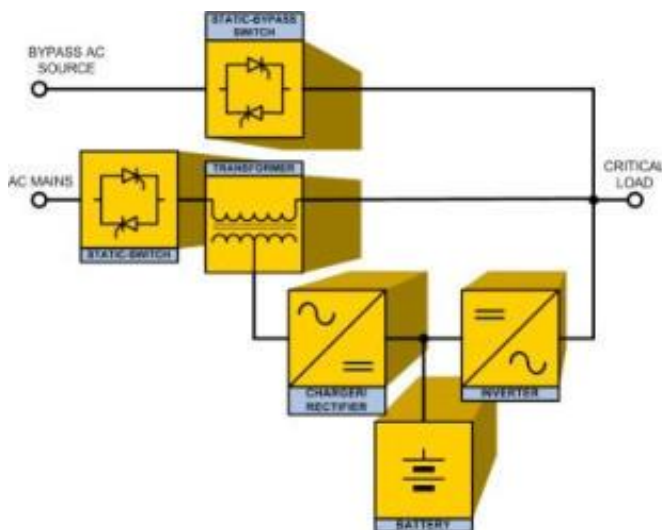
7. Self-diagnosis and protection function, strong load resistance capability, peak value of current and short circuit protection design.
8. Vertical and horizontal design, tower and rack type free combination, installation is more convenient

User-Friendly Mimic Display Panel Design

- ✚ Time Switch and Remote Monitoring Functions support user to manage UPS from off-site location.
- ✚ Advance Battery Charge Control Function increases battery life and saves cost by managing Battery deep discharge protection and applying Intelligent Charging Technology.
- ✚ The Auto-Restart Function helps user to start UPS without user presence. In case of prolonged utility power failure and after battery autonomy ends, the UPS will shut-down. When the utility power returns the UPS will restart automatically and protect critical load without human assistance.
- ✚ REL2700N-11-RT is a comprehensively designed UPS System to bring Reliability and convenience to critical load.

REL2700N-11-RT Series A True Online Sine Wave UPS System:

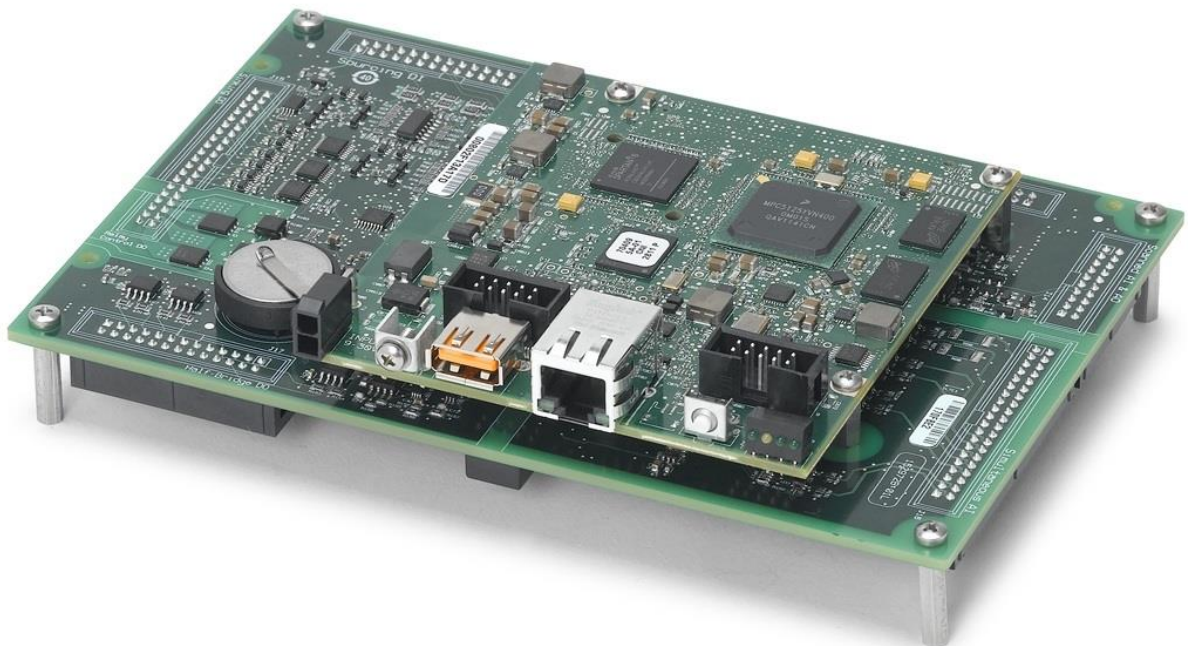
REL2700N-11-RT is a True Online, Double Conversion, Pure Sinewave UPS System. In the Double Conversion On-Line mode when utility power fails it does not affect the load as the UPS has zero transfer time to the batteries and batteries are always online and available for service. The Utility power interruption does not cause activation of any mechanical or static transfer switches. This is due to the advantage of UPS DC Bus directly connected in parallel to Battery Bank and Input Rectifier.



REL2700N-11-RT Single Phase UPS System Technical Specifications:

Model	1KVA	2KVA	3KVA	5 / 6KVA	10KVA	15KVA	20KVA
P.F	0.8/0.9/1.0						
Input Voltage	110 or 220VAC \pm 25%						
Input Frequency	50/60Hz \pm 10%						
Output Voltage	110 or 220VAC \pm 1%						
Output Frequency	50/60Hz \pm 0.5%						
Transient Response	\pm 4% (100% Loading)						
Waveform	Sine Wave THD < 3%						
Overload Capability	Upto 125% 15 Minutes on Inverter then Transfer to Bypass (with overload Alarm)						
	125% - 150% 60 Seconds on Inverter then Transfer to Bypass (with overload Alarm)						
	>150% 3 Seconds on Inverter then Transfer to Bypass (with overload Alarm)						
Crest Factor	3:1						
Battery Type	VR-SLA or Ni-Cd Batteries						
D.C. Voltage	24/36VDC	48/72/96VDC		192V or 240V			
Built-in Batteries Conf.	12V7/9AH	12V7/9AH		12V7/9AH			
External Battery Bank	Can be configured as per Backup requirement						
Charge Current	1-10A Customized						
Efficiency	> 85%						
Transfer Time	0 ms in Synchronised mode; <2 ms for unsynchronised mode						
Protection	Over Current, Over Voltage, Undervoltage, Short Circuit, Battery Overcharge, High Temperature						
EMC	EN62040-2:2006;EN61000-3-2:2006+A1:2009+A2:2009						
Alarms	Mains Failure: Alarms for 90 seconds with 4 second intervals						
	Low Battery Alarm: Keeps Alarming every second before shutdown						
	UPS Overload Alarm: Keeps alarming and transfers the load to Bypass						
	General Fault Alarm: Beeps						
LED display	Mains available/ Bypass operation / Inverter operation / Low Battery warning/ Over loading warning/ General Fault						

LCD display	UPS status with Digital Readings for Input/ Output/ Battery Voltage/ Input and Output Frequency / Load Percentage etc.						
Communication Ports	RS232(Default) , Remote Monitoring and Management (Option)						
Operating Temperature Range	0°C - 50°C						
Operating Altitude	<1000 Meters Normal Operation; 1% degradation of Power Factor for each 100 meters higher to a max. of 4000 meters						
Humidity	0%-90% No Condensation						
Noise	<58 db						
UPS Dimensions	2U				4U		
Battery Module Dimensions	2U/4U				4U		
Weight without battery (kg)	8.5	13	13.5	18	19	26	40
Weight with battery (kg)	As per Battery Backup requirement						



Reliability Power Systems - Australia

Global Sales Management

109 Pitt St.' Sydney NSW 2000, Australia
Tel: +61 2 9016 2886, Fax: +61 2 9016 2887
Info@Reliability-Power.com

Production Management

Newmarket Road, Windsor, Brisbane Qld 4030, Australia
Tel: +61 7 3041 4223, Fax: +61 7 3041 4211
Production@Reliability-Power.com

Reliability Power Systems - Worldwide

Reliability Power Systems - Canada

2 County Court Blvd, 4th Floor
Brampton, ON L6W 3W8 - Canada
Reliability.Canada@Reliability-Power.com

Reliability Power Systems - Europe

New Summer St., Birmingham,
West Midlands B19, United Kingdom
Reliability.Europe@Reliability-Power.com

Reliability Power Systems - MENA

CTS/Ibrahim Khalil Makkawi Est.
POB 127138, Jeddah 21352, Saudi Arabia
Reliability.MiddleEast@Reliability-Power.com

Reliability Power Systems – South Asia

Protective Systems (Pvt) Ltd.
Satellite Town, Rawalpindi/Islamabad, Pakistan
Reliability.SouthAsia@Reliability-Power.com

Reliability Power Systems - China

Sci & Tech. Industrial Park, Dongguan City,
Guangdong, China
Reliability.China@Reliability-Power.com

Reliability Power Systems – Singapore (Training Center)

Level 30, 6 Battery Road
Singapore 049909
Reliability.Academy@Reliability-Power.com