

# COMMERCIAL & INDUSTRIAL CHARGERS & DC POWER SUPPLIES/RECTIFIERS



**IDEAL APPLICATIONS:  
POWER & IT  
OIL & GAS  
TELECOM  
AVIATION**

**RELIABILITY Power Systems** is world leader in offering Commercial and Industrial DC Power Supplies/Rectifiers and Battery Charging Systems minimizing critical system downtime at the lowest total cost.

RELIABILITY Chargers are available in all commercial ratings 2VDC to 480VDC and customized solutions. The chargers are compatible with all kinds of batteries such as Lead-Acid, Nickel Cadmium and Lithium etc.

### **SALIENT FEATURES:**

- RELIABILITY DC power systems available integrated as charger, battery and DC distribution into modular packages that minimize costs of floor space, labor and risk.
- LCD Display
- Single and 3-Phase Input options available
- Indoor and Outdoor model
- Outdoor packages accommodating Charger & battery in unique weatherproof housing
- Filtered, temperature compensated charger
- Wall-Mount, Rack-Mount, Free Standing models
- Remote Monitoring Options
- RS232, RS485, SNMP, BMS, AS400/Dry contact options
- Power Ratings upto 30KW
- Voltage Ratings from 2VDC upto 480VDC
- High MTBF and Low MTTR

- Microprocessor controlled battery chargers
- Automatic detection of battery malfunction
- RELIABILITY is thorough in engineering, rigorous in product qualification and systematic in manufacturing quality certified to the ISO 9001 standard.
- RELIABILITY chargers are UL listed and CE marked.
- IBC seismic certification available on request.
- Charger, battery & DC distribution available in a single Integrated cabinet saving site installation, maintenance and floor space. All assembled in Factory including battery.
- Generator-Set Start and Batteries Charging Systems available with unmatched reliability and performance. 12 or 24-volt systems available for any battery rating and type. Compliant to NFPA 110.

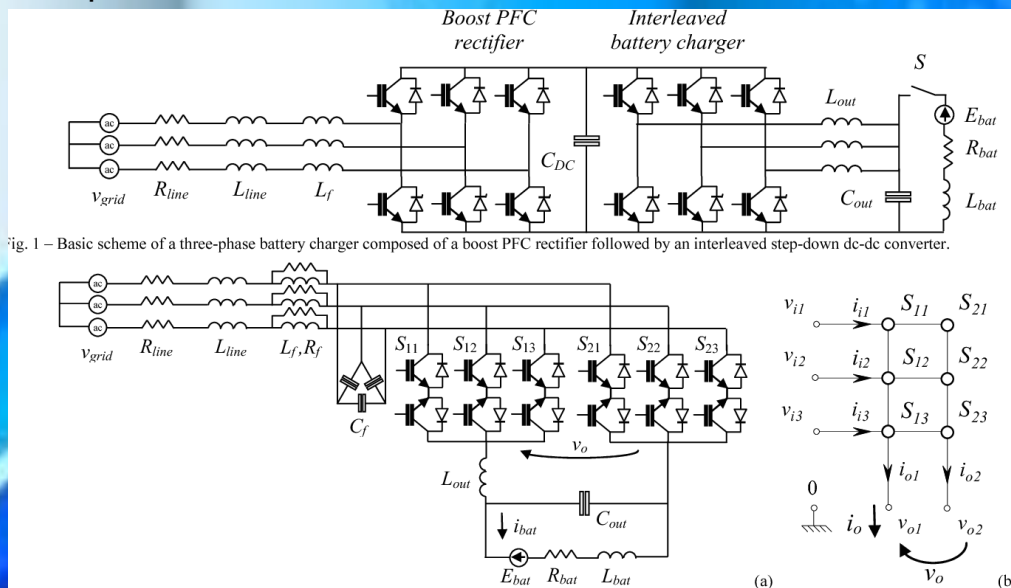


Fig. 1 – Basic scheme of a three-phase battery charger composed of a boost PFC rectifier followed by an interleaved step-down dc-dc converter.

**Reliability Power Systems Australia**

Level 17, 40 Mount St. North Sydney

NSW 2060, Australia

reliability.australia@reliabilityups.com

## Reliability Power Systems

**Reliability Power Systems Canada**

4<sup>th</sup> Floor 2 County Blvd, Brampton

ON L6W 3W8, Canada

reliability.canada@reliability-power.com

**Reliability Power Systems Europe**

New Summer St, Birmingham

West Midlands B19, UK

reliability.europe@reliability-power.com

**Reliability Power Systems Middle East**

Level 9 Jameel Sq, Thahlia St.

Jeddah, Kingdom of Saudi Arabia

reliability.mena@reliability-power.com

**Reliability Power Systems Asia Pacific**

5/F China Life Tower, No.16 Chaowai St.

Chaoyang Dist, Beijing 100020, China

reliability.china@reliability-power.com